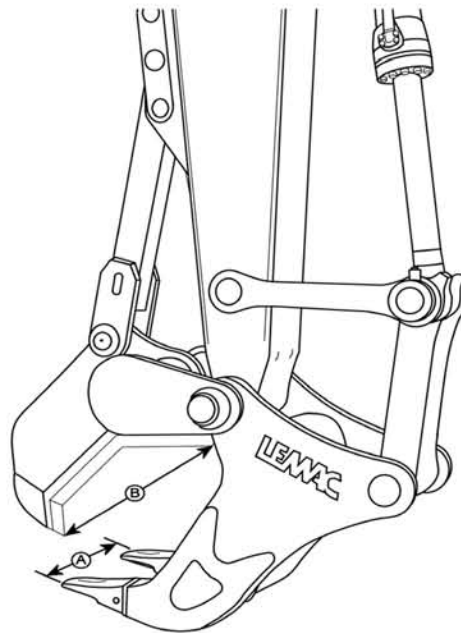
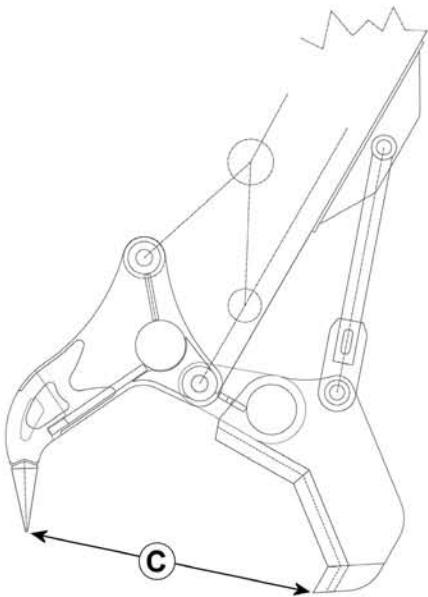




# STUMP SHEAR

The Lemac Stump Shear is now available as mechanical and hydraulic. The mechanical model requires no additional hydraulics. Pinning on in place of the bucket, it utilizes the excavators bucket cylinder to power the single blade jaw through the tree stump. The hydraulic version has a greater opening and generates quicker extra powerful cycle times. The shear's outer jaw has two ripper spikes which have oversized replaceable ESCO teeth. These prongs are used to pry the stump from the ground while the inner jaw, equipped with a replaceable blade, shears the stump. The Lemac Stump Shear is ideal as a downsizing tool for use with tub grinders or other wood processing machines.



## STUMP SHEAR TECHNICAL DATA

MODEL NUMBER	MACHINE SIZE		(A) RIPPER SPACING		(B) BLADE LENGTH		(C) APPROX MAX OPENING		APPROX WEIGHT		
	(Mech - Hyd)	(LB)	(Metric Tons)	(IN)	(MM)	(IN)	(IN)	(IN)	(MM)	(LB)	(KG)
SS12 / SS15		24,700 - 39,600	11-18	18	457	29	737	44	1118	1500	680
SS12HY / SS15HY		24,700 - 39,600	11-18	18	457	29	737	55	1397	1500	680
SS20 / SS25		40,000 - 67,700	18-30	20	508	33	838	50	1270	1955	887
SS20HY / SS25HY		40,000 - 67,700	18-30	20	508	33	838	63	1600	1955	887
SS30		67,800 - 84,500	30-38	22	559	37	940	59	1499	3045	1381
SS30HY		67,800 - 84,500	30-38	22	559	37	940	75	1905	3045	1381
SS40		80,000 - 104,000	38-47	25	635	40	1016	65	1651	3500	1587
SS40HY		80,000 - 104,000	38-47	25	635	40	1016	82	2083	3500	1587